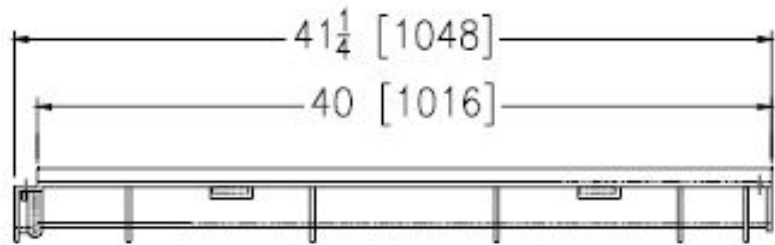
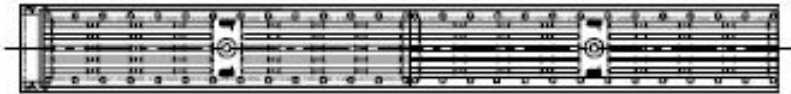
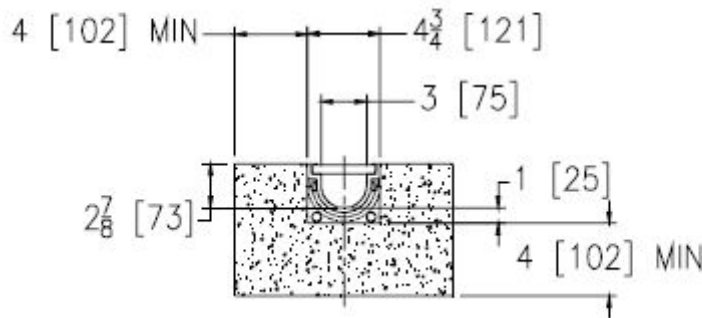


<p>Number Z884 Shallow Channel</p>	<p>Series CPZ884 HDPE Channel Z884 Series</p>
--	---



SPECIFYING ENGINEER IS RESPONSIBLE FOR
CONCRETE ENCASEMENT AND REINFORCING
BASED UPON APPLICATION AND LOCAL CODES



ENGINEERING SPECIFICATION: Zurn Z884

Channels shall be 40 [1016] long, 4-3/4 [121] wide reveal and have a 3-1/4 [83] throat. Modular channel sections shall be made of 0% water absorbent Polypropylene. Shall have a positive mechanical connection between channel sections that will not separate during the installation and shall mechanically lock into the concrete surround a minimum of every 10 [254]. Channels shall weigh less than 2 lbs. [.9kg] per linear foot, have a smooth, 1.634 [41.5] radiused self cleaning bottom with a Manning's coefficient of .009 neutral 0% built in slope. Channels shall have rebar clips standard to secure trench in its final location. Shall be provided with standard HPP grates that lock down with lockdown bars to the channel and is not intended for dynamic traffic loadings. Zurn 4-1/8 [105] wide reveal Longitudinal Heelproof Polypropylene Grate is rated class A per the DIN EN 1433 top load classifications. Supplied in 20 [508] nominal lengths with .25 [6] wide slots, and .75 [19] bearing depth. Grate has an open area of 18.57 sq. in per ft. [39,307 sq. mm per meter].

Manufacturer



DISCLAIMER - The customer and the customer's architects, engineers, consultants, and other professionals are completely responsible for the selection installation and maintenance of any product purchased from Trench Drain Supply and/or its manufacturers. TRENCH DRAIN SUPPLY MAKES NO WARRANTY, EXPRESS OR IMPLIED, AS TO THE SUITABILITY, DESIGN, MERCHANTABILITY, OR FITNESS OF THE PRODUCT FOR CUSTOMERS APPLICATION. The drawing and information provided remain the property and copyright of the manufacturer listed. The manufacturer reserves the right to modify specification without notice.